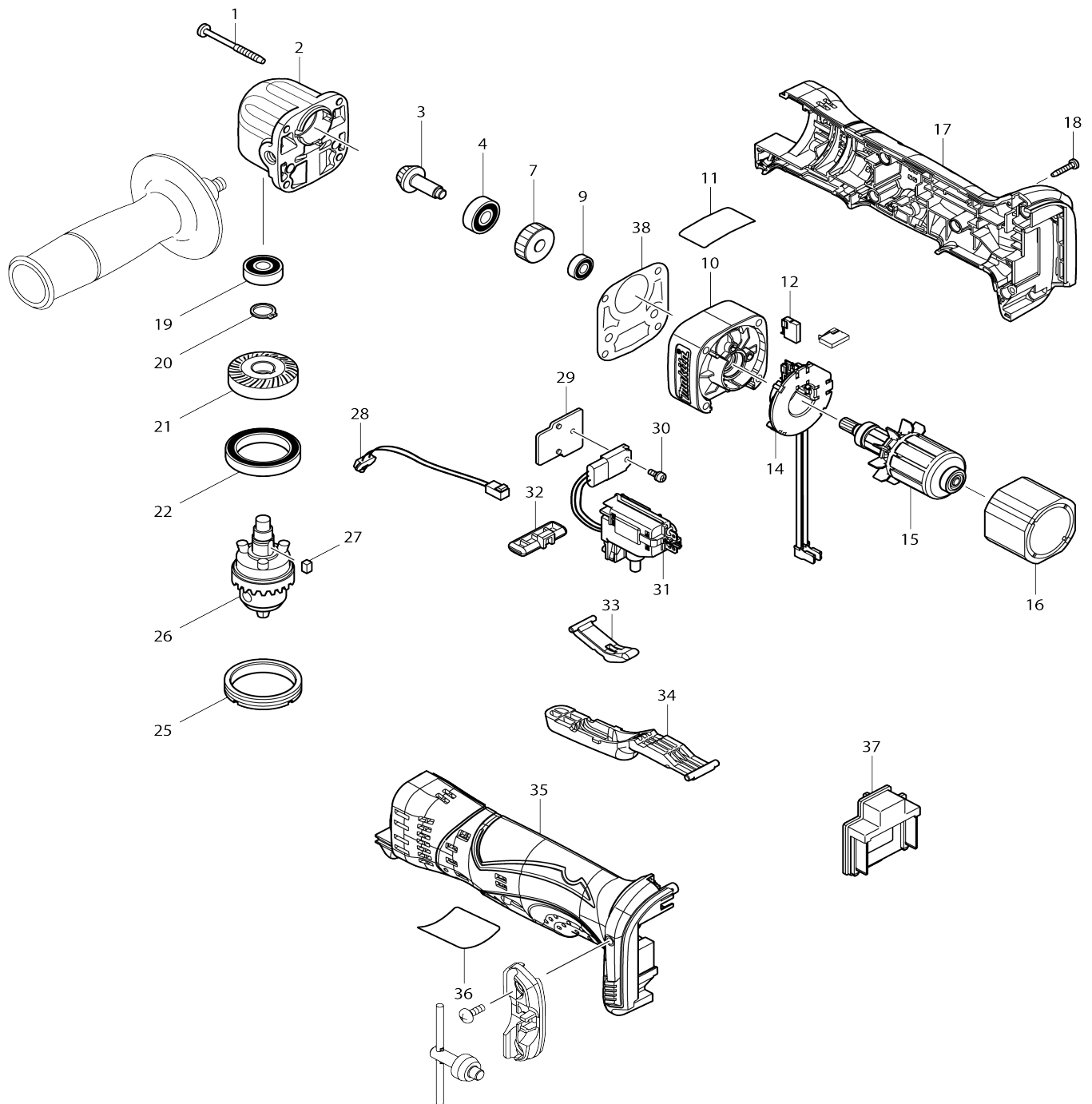


Model No.DDA350 CORDLESS ANGLE DRILL 10MM



Model No.DDA350 CORDLESS ANGLE DRILL 10MM

Item No.	Parts No.	Description	Interchangability	Q'ty	New/Old	Note1	Note2
001	266069-6	TAPPING SCREW 4X45		4			
002	317635-3	GEAR HOUSING		1			
003	227436-0	SPIRAL BEVEL GEAR 9		1			
004	210029-0	BALL BEARING 608ZZ		1			
007	227230-0	SPUR GEAR 29		1			
009	210033-9	BALL BEARING 696ZZ		1			
010	450607-6	GEAR HOUSING COVER		1			
012	194427-5	CARBON BRUSH SET CB-440		1	*		
012-1	195021-6	CARBON BRUSH SET CB-440	O	1			
014	539202-6	BRUSH HOLDER ASSY		1			
D10		INC. 12					
015	619234-0	ARMATURE		1	*		
015-1	619234-0	ARMATURE	O	1			
016	638613-3	YOKE UNIT		1			
017	187130-5	HOUSING SET		1			
D10		INC. 35					
018	266130-9	TAPPING SCREW BIND PT 3X16		5			
019	210029-0	BALL BEARING 608ZZ		1			
020	961052-5	RETAINING RING (EXT) S-12		1			
021	227536-6	SPIRAL BEVEL GEAR 26		1			
022	211423-9	BALL BEARING 6806DDW		1			
025	285842-5	BEARING RETAINER 36-43		1			
026	763174-5	DRILL CHUCK S10		1			
027	254201-4	KEY 4		1			
028	631814-2	LED CIRCUIT		1			
029	689098-6	HEAT SINK		1			
030	911006-2	PAN HEAD SCREW M3X8		1			
031	632B90-3	SWITCH UNIT		1			
032	450610-7	F/R CHANGE LEVER		1			
033	450609-2	LINK		1			
034	450608-4	SWITCH LAVER		1			
035	187130-5	HOUSING SET		1			
D10		INC. 17					
036	815P22-1	DDA350 NAME PLATE		1			
037	644808-8	TERMINAL		1			
038	418036-9	GASKET		1			
A01	153489-2	GRIP 36 COMPLETE		1			
A02	251314-2	+ SCREW M4X12		1			
A03	450688-0	KEY HOLDER		1			
A04	763415-9	CHUCK KEY S10		1			
F01	194654-4	HOOK SET		1			
C10	251314-2	+ SCREW M4X12		1			
C20	324705-1	HOOK		1			
F03	194649-7	BATTERY PROTECTOR		1			
C10	251314-2	+ SCREW M4X12		2			
F04-2	196235-0	BATTERY BL1815N SET	O	1			
F05-1	196449-1	BATTERY BL1815N SET	O	1			

F06-2	196449-1	BATTERY BL1815N SET	O	1		
A05	***DC18RC	DC18RC FAST CHARGER		1		
A06	194204-5	BATTERY BL1830 SET		2	*	
A06-1	194204-5	BATTERY BL1830 SET	O	2	*	
A06-2	197600-6	BATTERY BL1830B SET	<	2	*	
A06-3	197600-6	BATTERY BL1830B SET	O	2		
A07	450128-8	BATTERY COVER		1		
A08	141358-9	PLASTIC CARRYING CASE		1		
C10	163455-1	LATCH		2		
C20	419360-3	HANDLE		1		
A08	821550-0	CONNECTOR PLASTIC CASE (TYP E2)		1		
C10	453974-8	LATCH		4		
A09	838040-6	INNER TRAY		1		
A10	803T93-4	DDA350RFJ PLASTIC CASE LABEL		2		
A11	803T95-0	DDA350RFJ INDICATION LABEL		1		
A10	803T94-2	DDA350ZJ PLASTIC CASE LABEL		2		
A11	803T96-8	DDA350ZJ INDICATION LABEL		1		
A06	196399-0	BATTERY BL1840 SET		2	*	
A06-1	196399-0	BATTERY BL1840 SET	O	2	*	
A06-2	197265-4	BATTERY BL1840B SET	<	2	*	
A06-3	197265-4	BATTERY BL1840B SET	O	2		
A10	804E71-7	DDA350RMJ PLASTIC CASE LABEL		2		
A11	804E70-9	DDA350RMJ INDICATION LABEL		1		

Please state Parts No. when your order.

Print Date 01/29/2024